

SW701e – Multifunction chartplotter

7 inches multifunction chartplotter with external GPS antenna. Powerful multifunction sunlight viewable chartplotter - 16:9 Wide Screen - featuring a unique fashion design compact and in unsurpassed quality.

Product Description

SW701x Series comes with internal or external GPS, with high resolution display 800x480 pixel WVGA (Wide Screen). It is extremely fast responsive, completely waterproof (IP67), and can be flush mount (completely built in, on a level with the helm) or bracket mounted.

The new revolutionary quick disconnect adjustable bracket can be both tilted and rotated, matching all possible positioning and installation needs, plus offering the easiest removal solution.

SW701x Series can be transformed into a radar when connected to one of the Seiwa radar scanners.

SW701x Series supports advanced features such as free downloadable weather overlays and forecasts, 3D perspective view, HD photos, tidal heights and currents as well as the Guardian Alarm which checks your route for potential grounding issues.

If SW701x Series is combined with SEIWA Black Box Fish Finder (50/200Khz, 100W), you can choose from a full screen sounder display or split screen sounder/chart plotter, and can be coupled with various kinds of plastic stern thru hull transducers, or in hull transducers, or bronze thru hull transducers: the unit works with Xid AIRMAR transducers.

Soft Keys are available to guarantee maximum efficiency and easiness of use, which change function depending upon the current display with an easy key label prompted on the screen.

User friendly state-of-the-art software with outstanding graphics and cutting edge functions such as 'Grounding Alarm', Anchor Alarm, Weather Forecast, Multilanguage.

SW701x Series is compatible with DSC and AIS equipments and is equipped with WAAS/EGNOS/MSAS GPS active antenna.

The units are compatible with C-MAP by Jeppesen cartography, using SD cartridges.

Summary of Features

- Worldwide Built-in Cartography showing detail up to 2.0 NM
- C-MAP by Jeppesen MAX charts compatible
- Object-oriented chart system with enhanced functionality including:
 - Guardian alarm, Safety Status Bar, Safe Route Checking
 - Perspective View
 - Satellite Image Coverage (on worldwide background)
 - Turbo and Smooth Zoom
 - Multilanguage
 - Enhanced Port Information database
 - Tides & Currents data
 - Photos & Diagrams
 - Automatic Information on all chart objects and User Points
 - Find function for Ports Services, Ports By Name, Ports By Distance, Tide Stations, Wrecks, Obstructions, Lakes Information
- 10,000 User Points: Waypoints/Marks
- Waypoints).
- 10,000 Track Points
- Tracks 5
- 50 Routes
- User Points Icons 16
- Create, Move, Insert, Edit, Delete, Send, Receive Waypoint

- Create, Move, Edit, Delete, Send, Receive Mark/Event
- Navigation to Goto
- Create, Save, Name, Edit, Delete, Send, Receive or Follow a Route
- Route Data Report and User Points (Marks/Waypoints) List pages
- Display vessel's position, direction and Track
- Man OverBoard (MOB) to navigate back to a missing person or object
- Weather Service capability
- Range & Bearing function
- Simulation Mode with cursor control

Functions

- BBFF compatible
- Radar compatible
- AIS compatible
- DSC compatible
- WAAS/EGNOS/MSAS compatible
- MOB (Man Over Board)
- Time to Destination
- Distance to Destination
- Selectable track color
- Compass Calibration
- Navigation Info
- Automatic Info on cartographic objects
- Simulation Mode

Key pages

- Positional information from GPS
- Depth Graph Page (Split & Full)
- Navigation Data page
- 3D Road page
- GPS Status page
- Wind Data page
- Gauges page
- DSC Log and DSC Directory pages
- AIS Report List page
- Fish Finder Page
- Radar Page
- User Points List Page

Alarms Handling

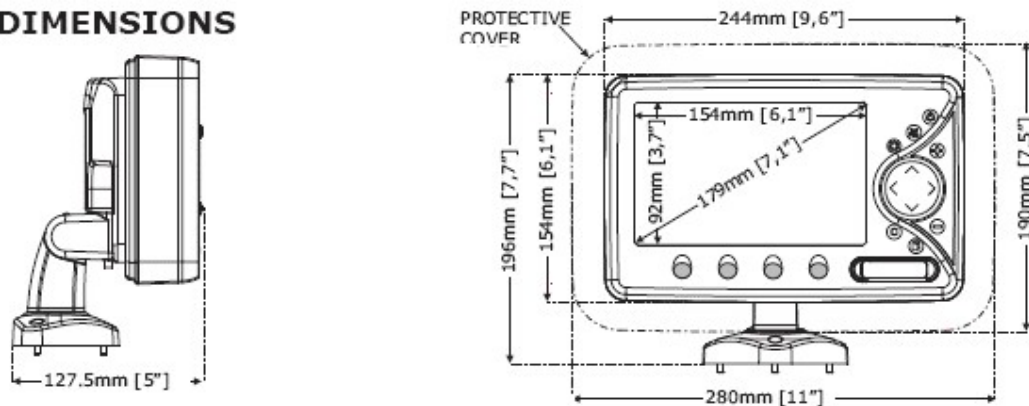
- Auto Off
- Arrival Alarm
- XTE Alarm
- Anchor Alarm
- Depth Alarm
- HDOP Alarm
- Heading Alarm
- Grounding Alarm
- Grounding Depth Limit Alarm
- Grounding Alarm Range
- External Alarm

Technical specifications

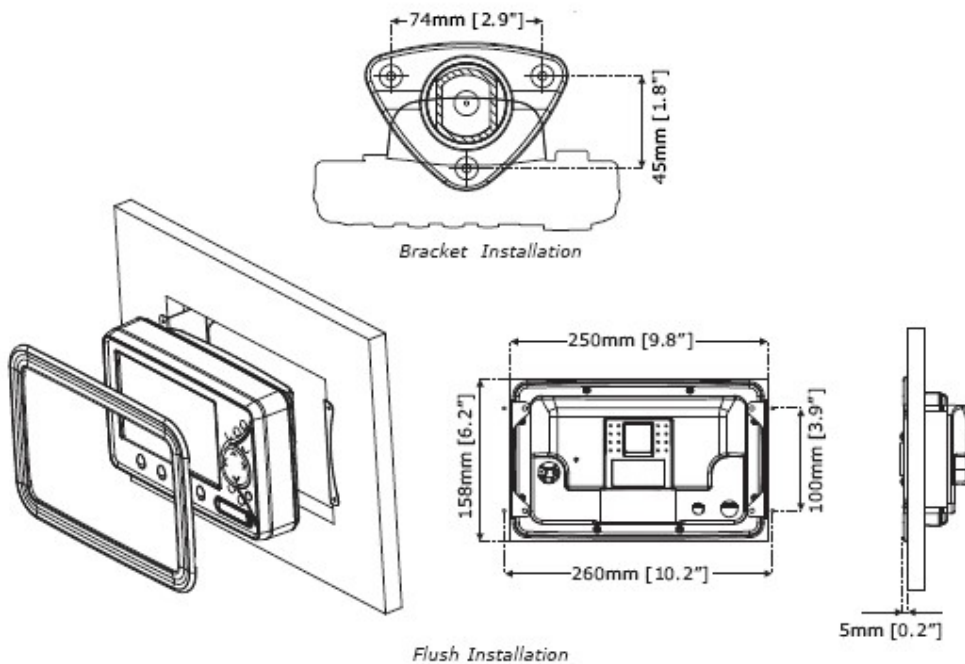
- Microprocessor: ARM9 S32442MSP3 300MHz
- Display: 7 " TFT LCD Colour
- Sunlight viewable Display

- Resolution: 800x480
- Power consumption: 18W (1.5 A @ 12 V)
- Supply Voltage: 10-35 Vdc
- Cartridge slots: 1 x SD-Card
- GPS Antenna: SW701e external with cable
- Operating temperature: 0-55 °C
- Connectors:
 - In/Out NMEA ports: 5 x Nmea 0183
 - Video Input: 1 PAL or NTSC composite video
 - For SW701e, the GPS connection is made through the quick disconnect bracket
 - Power In/Out: 10 pin

DIMENSIONS



INSTALLATION AND REMOVING



The box contains:

- #1 SW701e (P2MJ710BSW);
- #1 Suncover (HPC34AX/A);
- #1 Fuse holder + fuse (K0FUSHV003);
- #1 quick disconnect bracket with Power I/O cable, 1,5mt (K10QDB004A);
- #1 Aux/I/O cable (CBC0FS0804);
- #1 Video In cable with adaptors (CBFS0200SE);
- #1 Cap for Aux I/O (CAP-WABMMLA1);
- #1 Cap for Video In connectors (CAP-WAAPMLA1);
- #1 GPS antenna (UX0GSU42SE);
- #1 GPS cable, 15,0 mt (CBCCFS0801);
- #1 User Manual (English language);